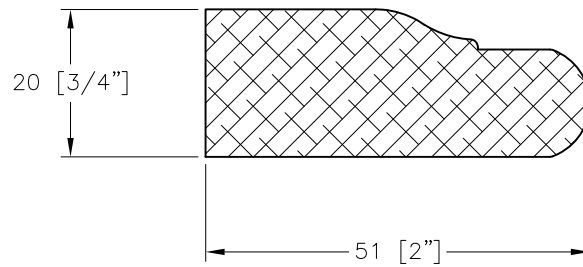


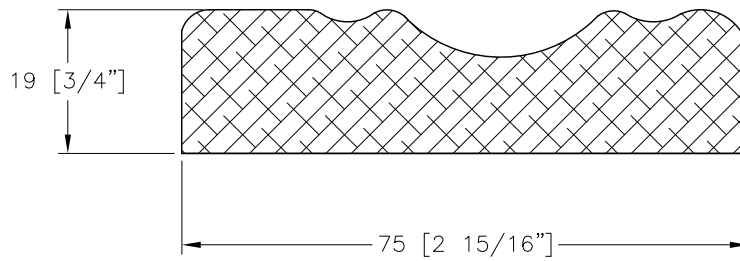
Hy-Grade  
**MILLWORK**

DRAWN BY: IO	SCALE: 1:1
HY-VL1	REV 0



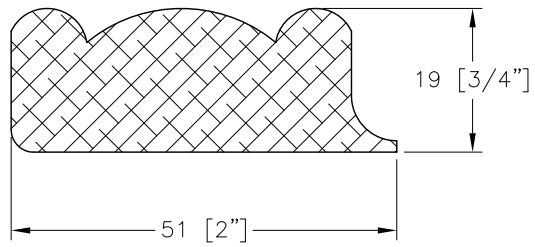
Hy-Grade  
**MILLWORK**

DRAWN BY: IO	SCALE: 1:1
HY-VL2	REV 0



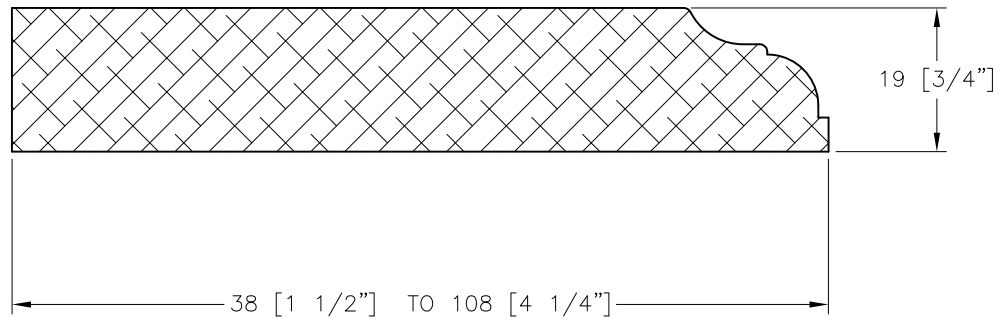
Hy-Grade  
**MILLWORK**

DRAWN BY: IO	SCALE: 1:1
HY-VL3	REV 0



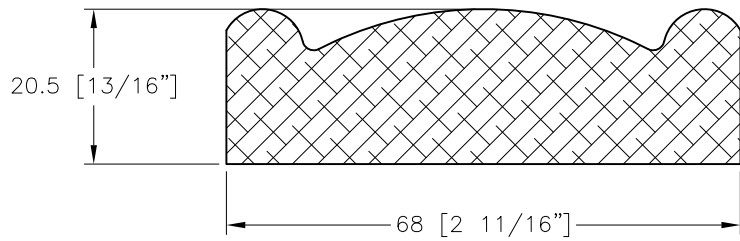
Hy-Grade  
**MILLWORK**

DRAWN BY: IO	SCALE: 1:1
HY-VL4	REV 0



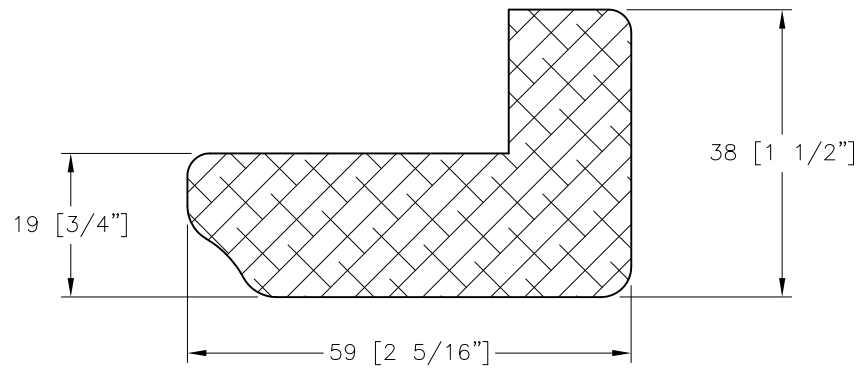
Hy-Grade  
**MILLWORK**

DRAWN BY: IO	SCALE: 1:1
HY-VL5	REV 0



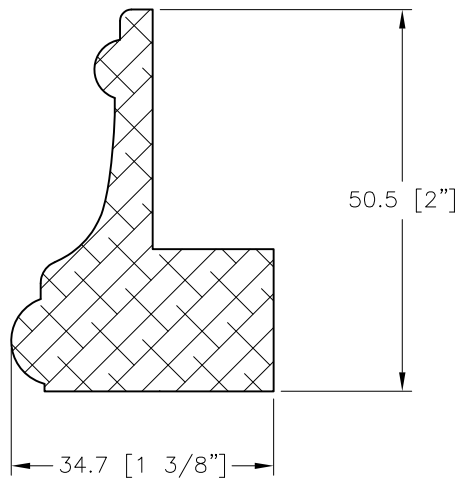
Hy-Grade  
**MILLWORK**

DRAWN BY: IO	SCALE: 1:1
HY-VL6	REV 0



Hy-Grade  
**MILLWORK**

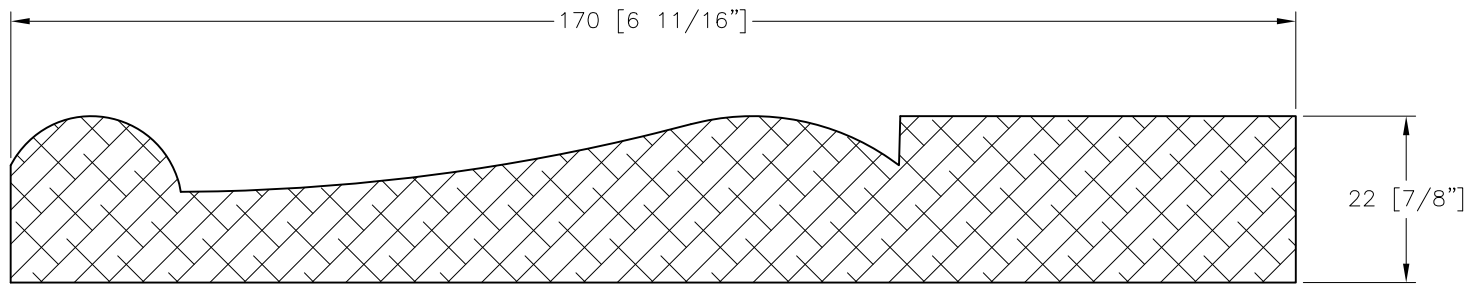
DRAWN BY: IO	SCALE: 1:1
HY-VL7	REV 0



Hy-Grade  
**MILLWORK**

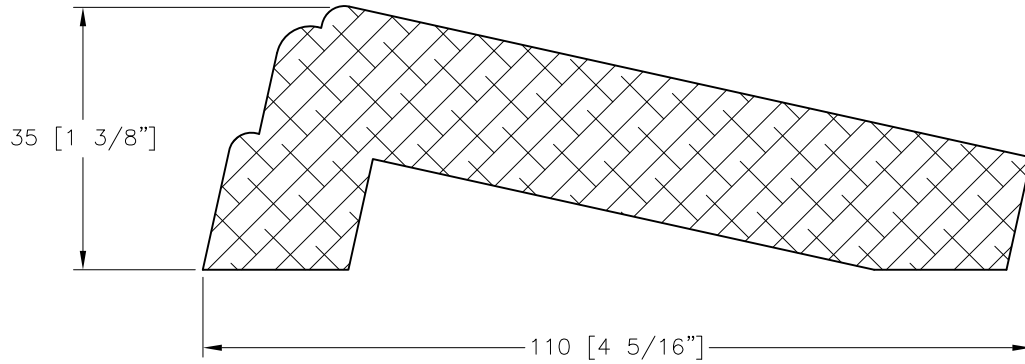
DRAWN BY: IO	SCALE: 1:1
HY-VL8	REV 0





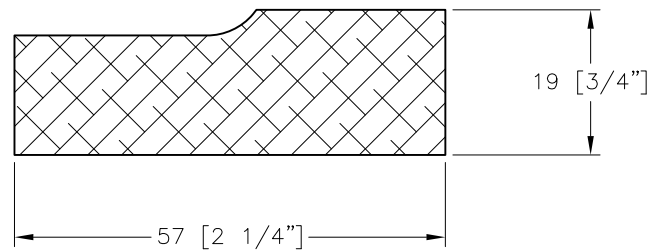
Hy-Grade  
**MILLWORK**

DRAWN BY: IO	SCALE: 1:1
HY-VL9	REV 0



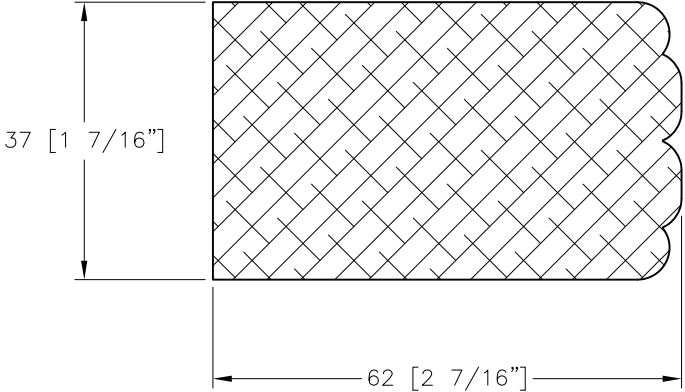
Hy-Grade  
**MILLWORK**

DRAWN BY: IO	SCALE: 1:1
HY-VL10	REV 0



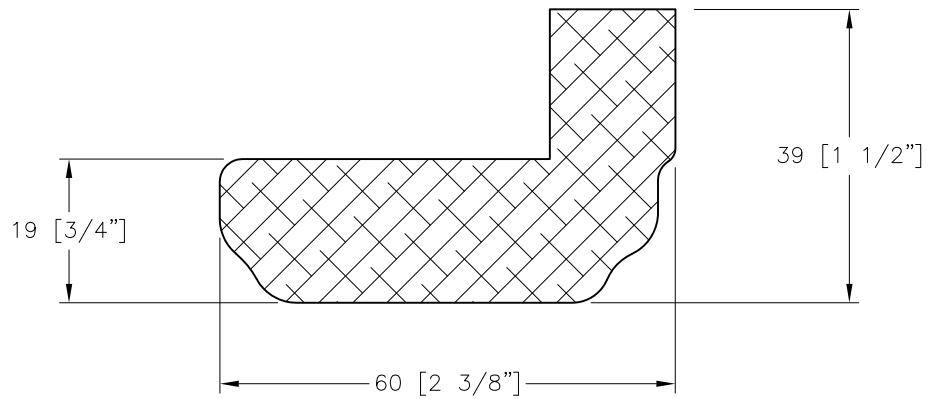
Hy-Grade  
**MILLWORK**

DRAWN BY: IO	SCALE: 1:1
HY-VL13	REV 0



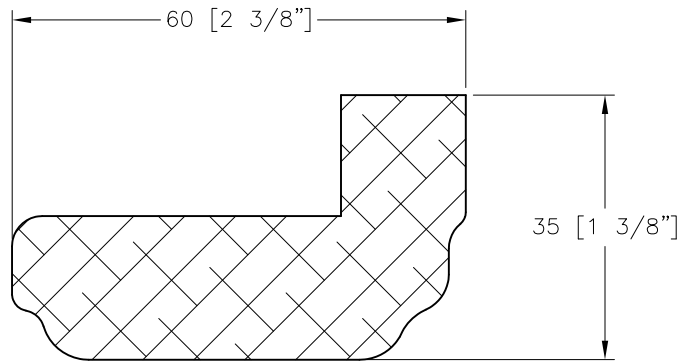
Hy-Grade  
**MILLWORK**

DRAWN BY: IO	SCALE: 1:1
HY-VL14	REV 0



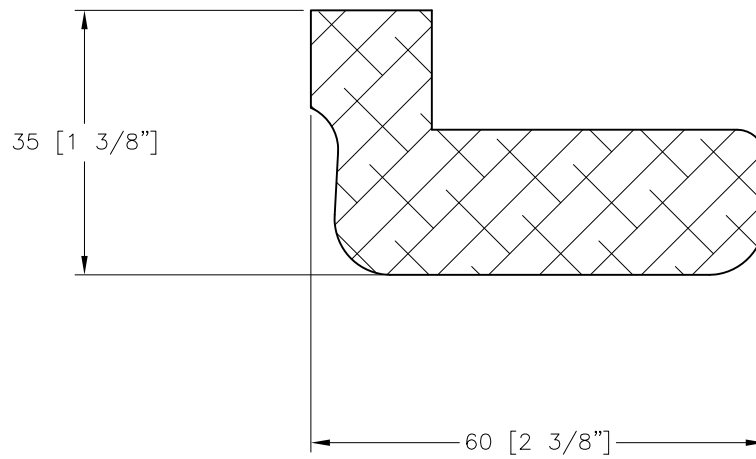
Hy-Grade  
**MILLWORK**

DRAWN BY: IO	SCALE: 1:1
HY-VL15	REV 0



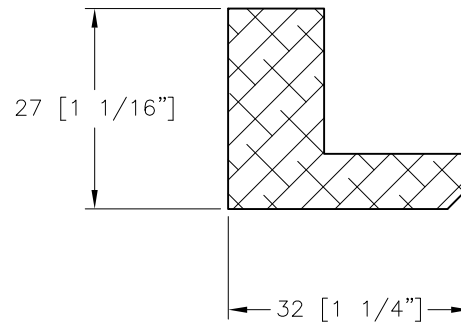
HyGrade  
**MILLWORK**

DRAWN BY: IO	SCALE: 1:1
HY-VL16	REV 0



HyGrade  
**MILLWORK**

DRAWN BY: IO	SCALE: 1:1
HY-VL17	REV 0



HyGrade  
**MILLWORK**

DRAWN BY: IO	SCALE: 1:1
HY-VL18	REV 0