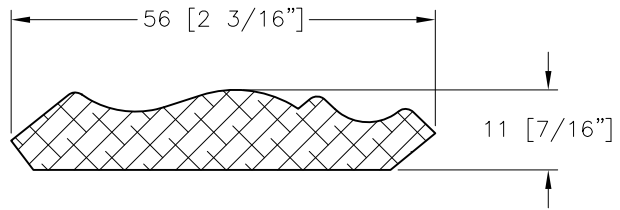


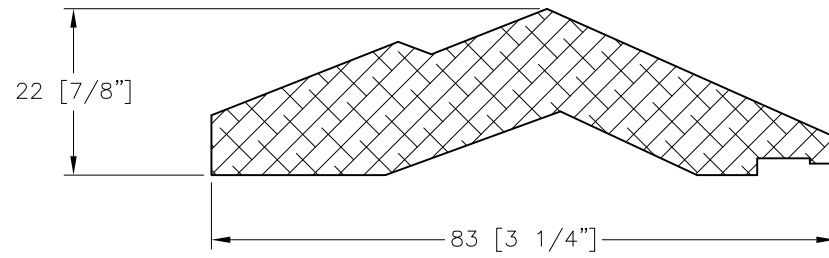
Hy-Grade
MILLWORK

DRAWN BY: IO	SCALE: 1:1
HY-CON1	REV 0



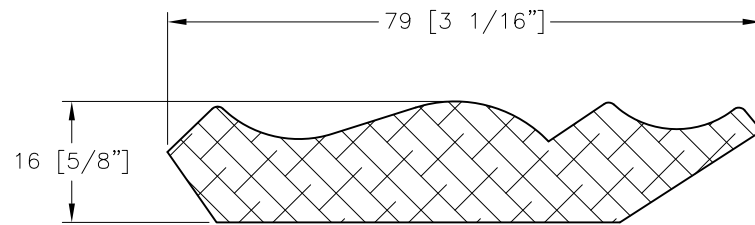
Hy-Grade
MILLWORK

DRAWN BY: IO	SCALE: 1:1
HY-CR2	REV 0



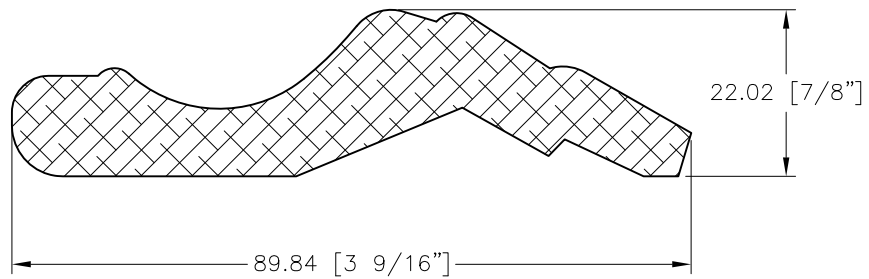
Hy-Grade
MILLWORK

DRAWN BY: IO	SCALE: 1:1
HY-CR3	REV 0



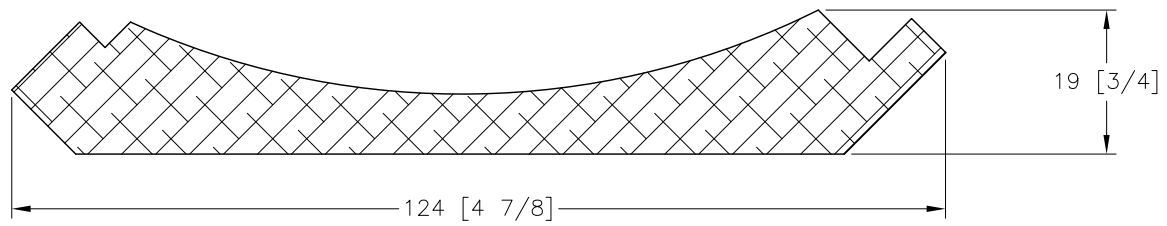
Hy-Grade
MILLWORK

DRAWN BY: IO	SCALE: 1:1
HY-CR6	REV 0



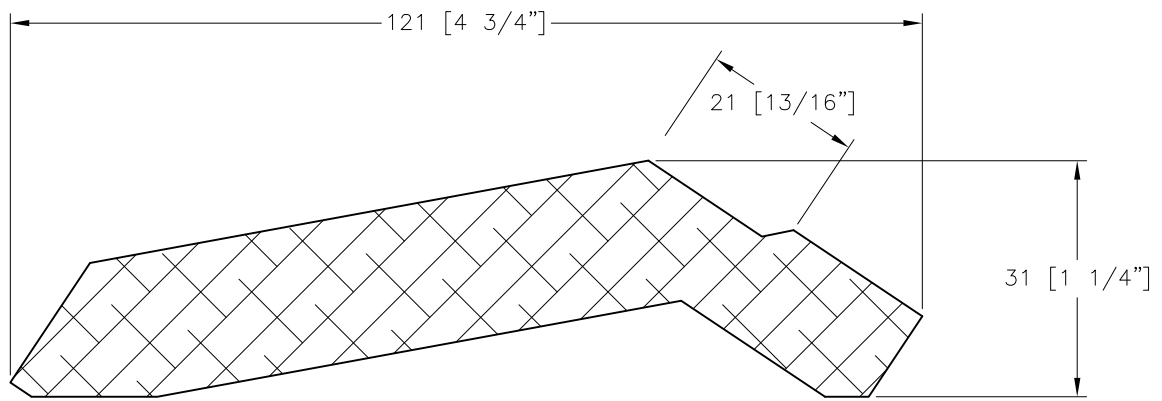
Hy-Grade
MILLWORK

DRAWN BY: IO	SCALE: 1:1
HY-CR8	REV 0



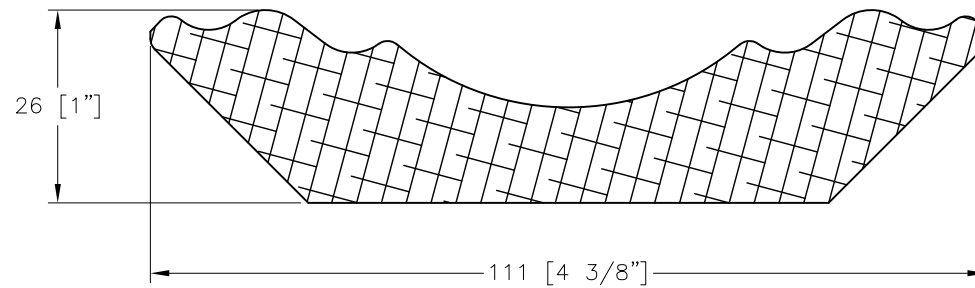
Hy-Grade
MILLWORK

DRAWN BY: IO	SCALE: 1:1
HY-CR29	REV 0



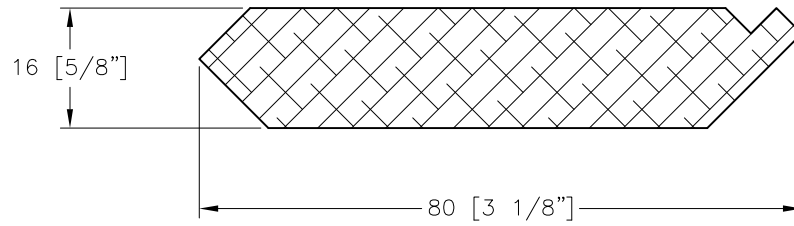
Hy-Grade
MILLWORK

DRAWN BY: IO	SCALE: 1:1
HY-CR46	REV 0



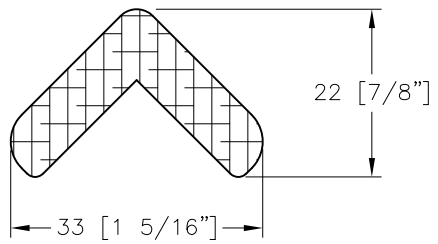
Hy-Grade
MILLWORK

DRAWN BY: IO	SCALE: 1:1
HY-CR48	REV 0



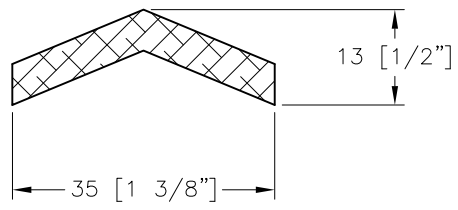
HyGrade
MILLWORK

DRAWN BY: IO	SCALE: 1:1
HY-CR62	REV 0



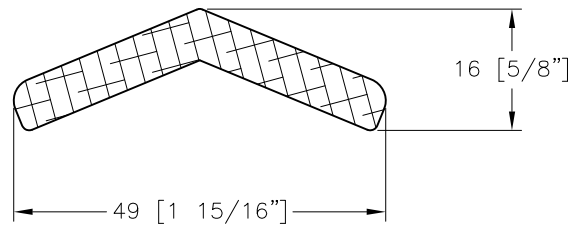
Hy-Grade
MILLWORK

DRAWN BY: IO	SCALE: 1:1
HY-OS4	REV 0



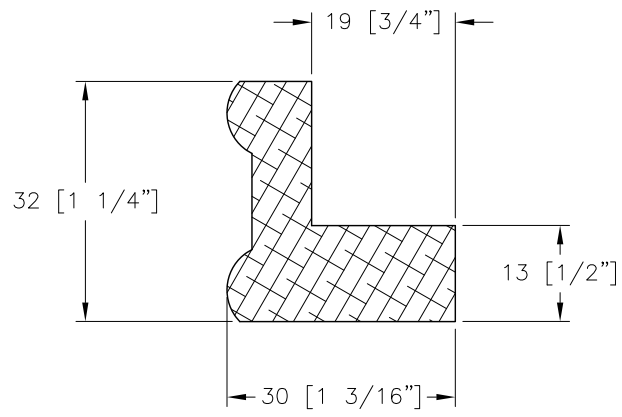
Hy-Grade
MILLWORK

DRAWN BY: IO	SCALE: 1:1
HY-OS5	REV 0



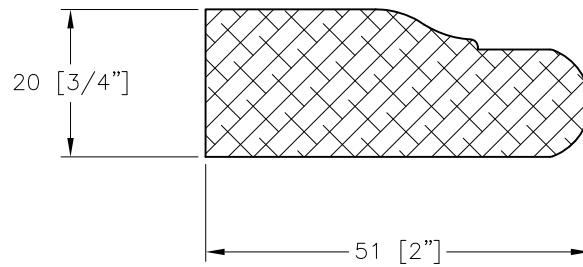
Hy-Grade
MILLWORK

DRAWN BY: IO	SCALE: 1:1
HY-OS6	REV 0



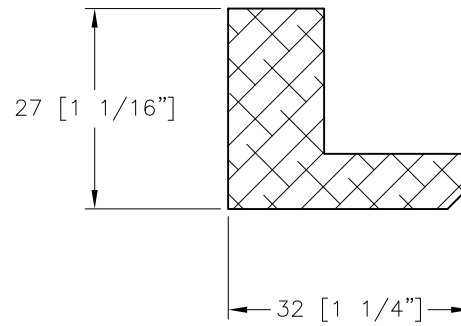
Hy-Grade
MILLWORK

DRAWN BY: IO	SCALE: 1:1
HY-VL1	REV 0



Hy-Grade
MILLWORK

DRAWN BY: IO	SCALE: 1:1
HY-VL2	REV 0



HyGrade
MILLWORK

DRAWN BY: IO	SCALE: 1:1
HY-VL18	REV 0