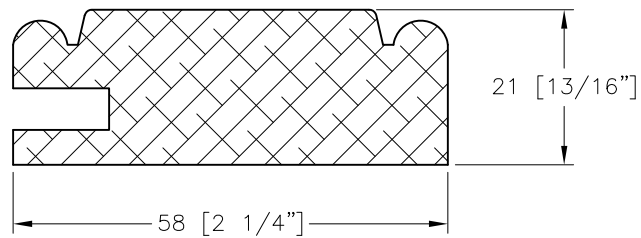


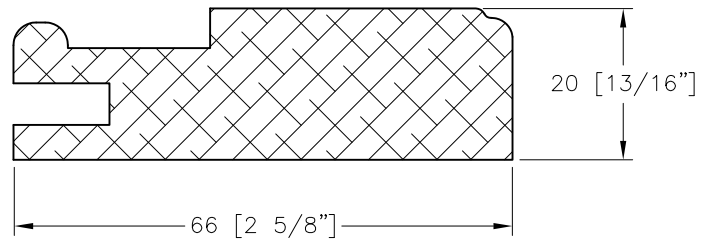
Hy-Grade  
**MILLWORK**

DRAWN BY: IO	SCALE: 1:1
HY-DS1	REV 0



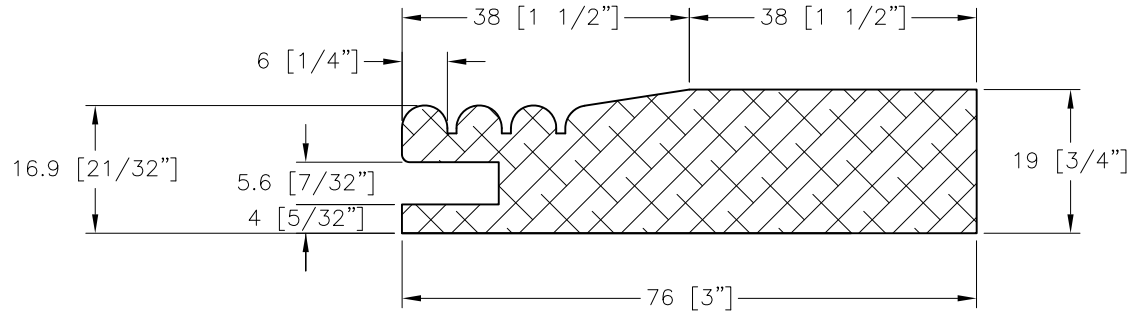
**Hy-Grade**  
**MILLWORK**

DRAWN BY: IO	SCALE: 1:1
HY-DS2	REV 0



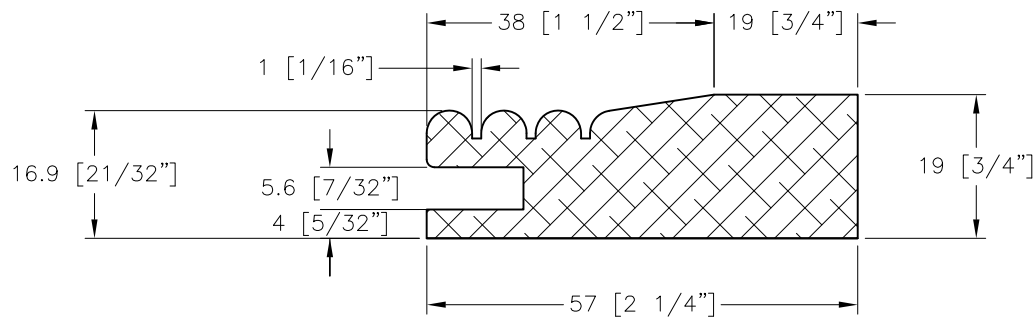
Hy-Grade  
**MILLWORK**

DRAWN BY: IO	SCALE: 1:1
HY-DS3	REV 0



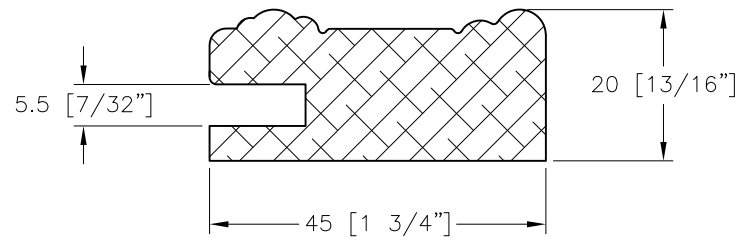
HyGrade  
MILLWORK

DRAWN BY: IO	SCALE: 1:1
HY-DS4	REV 0



HyGrade  
**MILLWORK**

DRAWN BY: IO	SCALE: 1:1
HY-DS5	REV 0



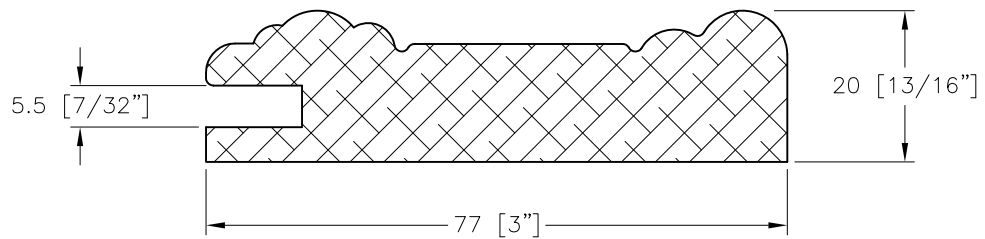
Hy-Grade  
**MILLWORK**

DRAWN BY: IO

SCALE: 1:1

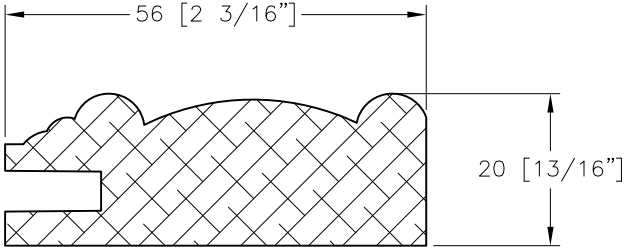
HY-DS6

REV 0



Hy-Grade  
**MILLWORK**

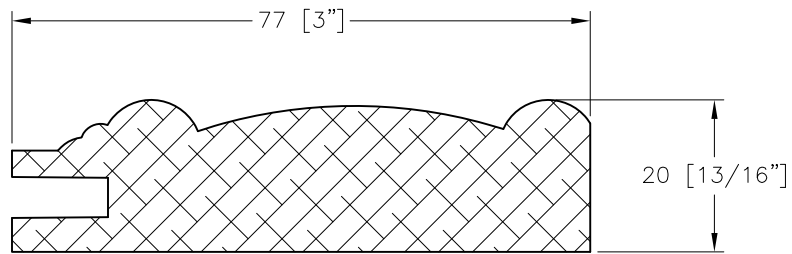
DRAWN BY: IO	SCALE: 1:1
HY-DS7	REV 0



**Hy-Grade**  
**MILLWORK**

DRAWN BY: IO	SCALE: 1:1
HY-DS8	REV 0





Hy-Grade  
**MILLWORK**

DRAWN BY: IO	SCALE: 1:1
HY-DS9	REV 0