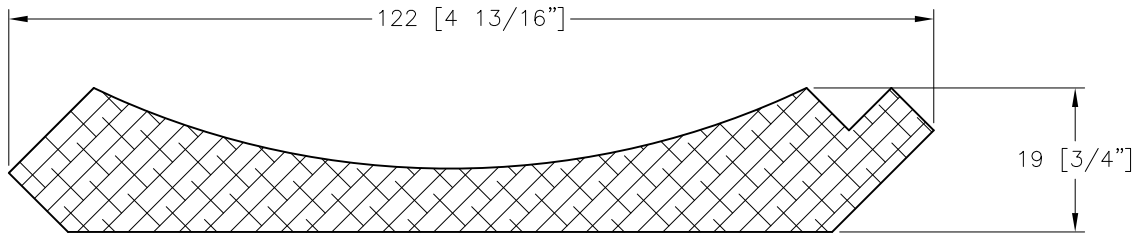


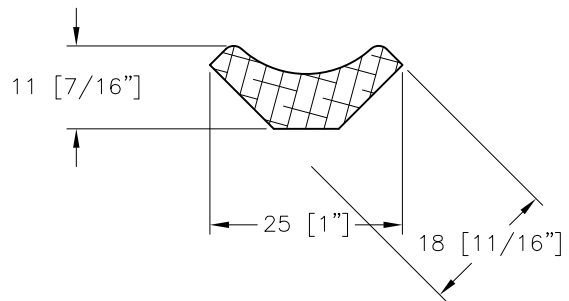
Hy-Grade
MILLWORK

DRAWN BY: IO	SCALE: 1:1
HY-CON1	REV 0



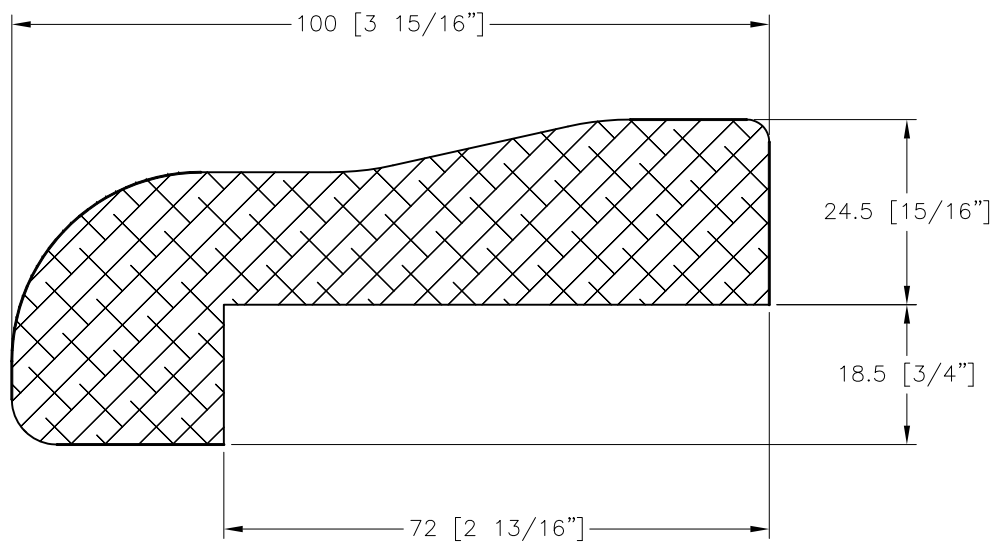
Hy-Grade
MILLWORK

DRAWN BY: IO	SCALE: 1:1
HY-CON2	REV 0



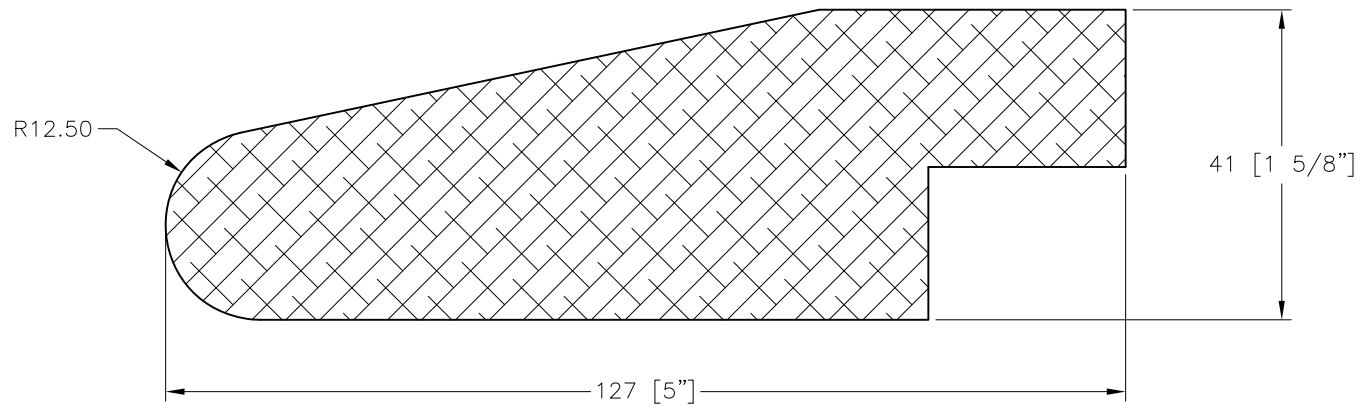
Hy-Grade
MILLWORK

DRAWN BY: IO	SCALE: 1:1
HY-COVE	REV 0



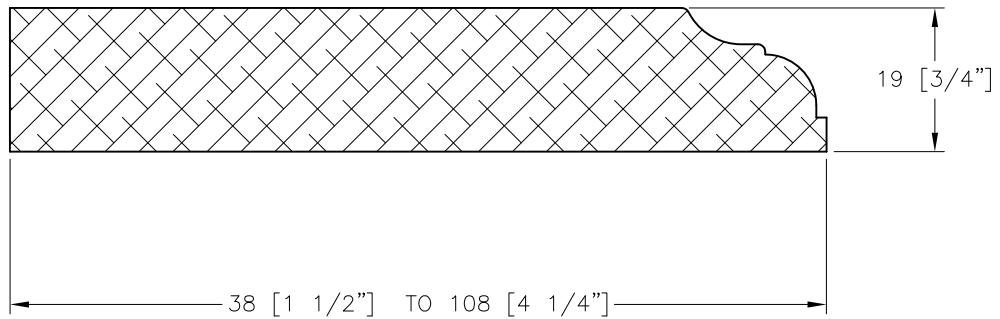
Hy-Grade
MILLWORK

DRAWN BY: IO	SCALE: 1:1
HY-CTE1	REV 0



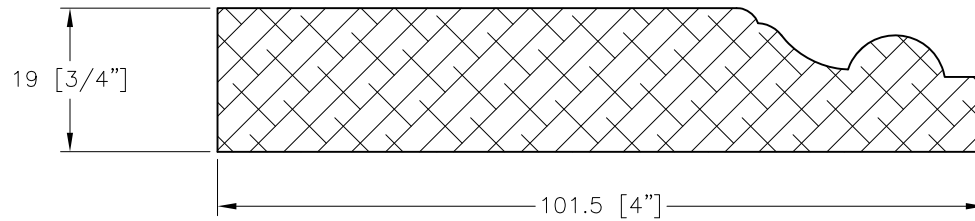
Hy-Grade
MILLWORK

DRAWN BY: IO	SCALE: 1:1
HY-CTE2	REV 0



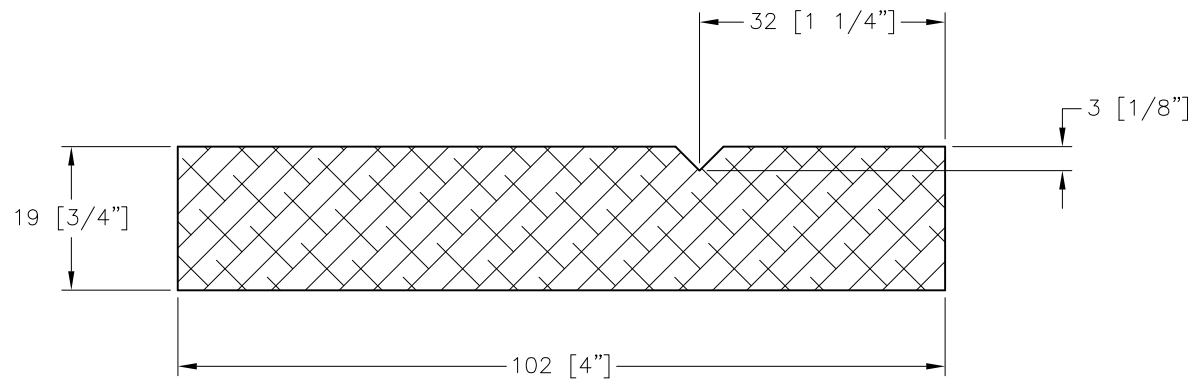
Hy-Grade
MILLWORK

DRAWN BY: IO	SCALE: 1:1
HY-CTM	REV 0



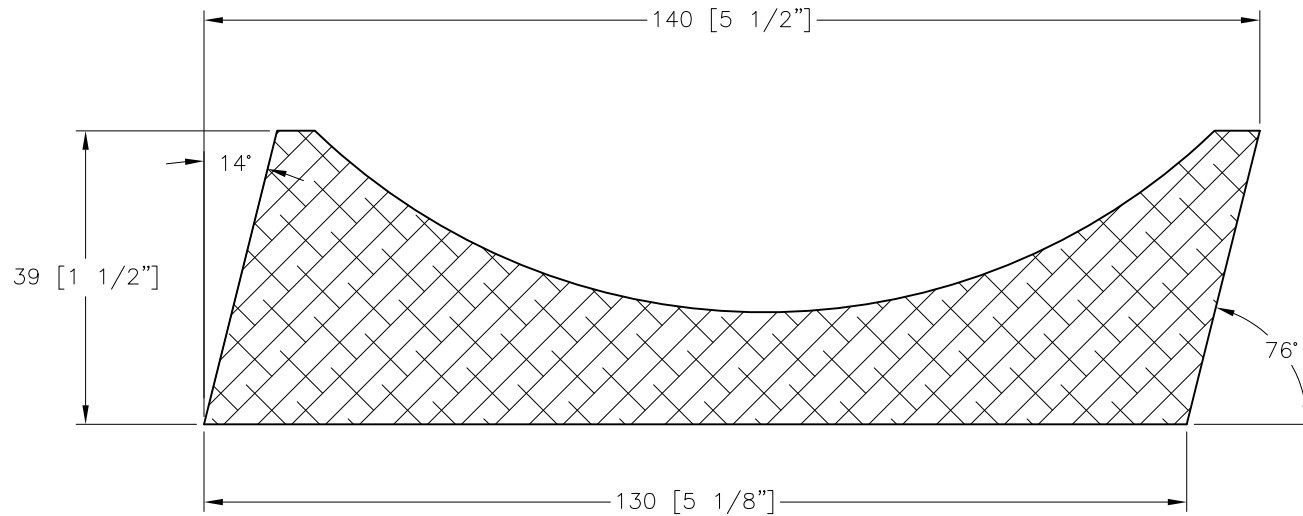
Hy-Grade
MILLWORK

DRAWN BY: IO	SCALE: 1:1
HY-FTK1	REV 0



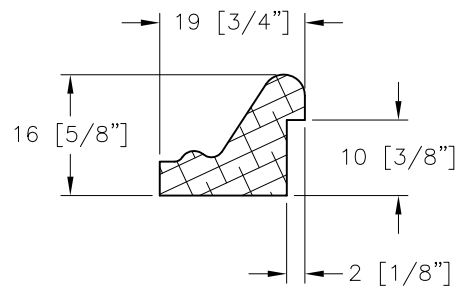
Hy-Grade
MILLWORK

DRAWN BY: IO	SCALE: 1:1
HY-FTK2	REV 0



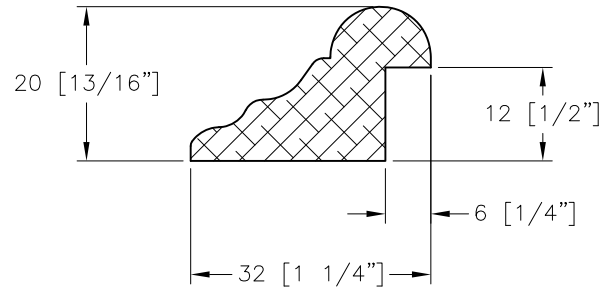
Hy-Grade
MILLWORK

DRAWN BY: IO	SCALE: 1:1
HY-FTK3	REV 0



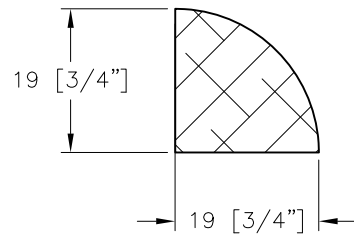
HyGrade
MILLWORK


DRAWN BY: IO	SCALE: 1:1
HY-PM1	REV 0

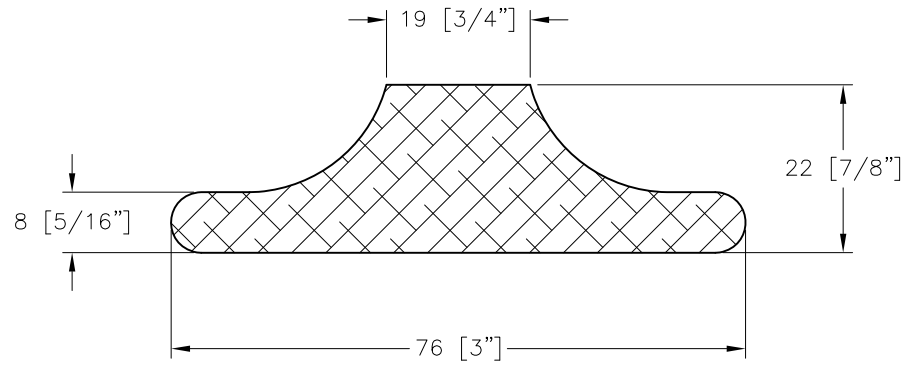


HyGrade
MILLWORK

DRAWN BY: IO	SCALE: 1:1
HY-PM2	REV 0



	HY-GRADE MILLWORK	
	DRAWN: APR/07	DRAWN BY: RE
	SCALE: 1:1	
HY-QURO1		REV 0
		P.1



Hy-Grade
MILLWORK

DRAWN BY: IO	SCALE: 1:1
HY-STEM	REV 0