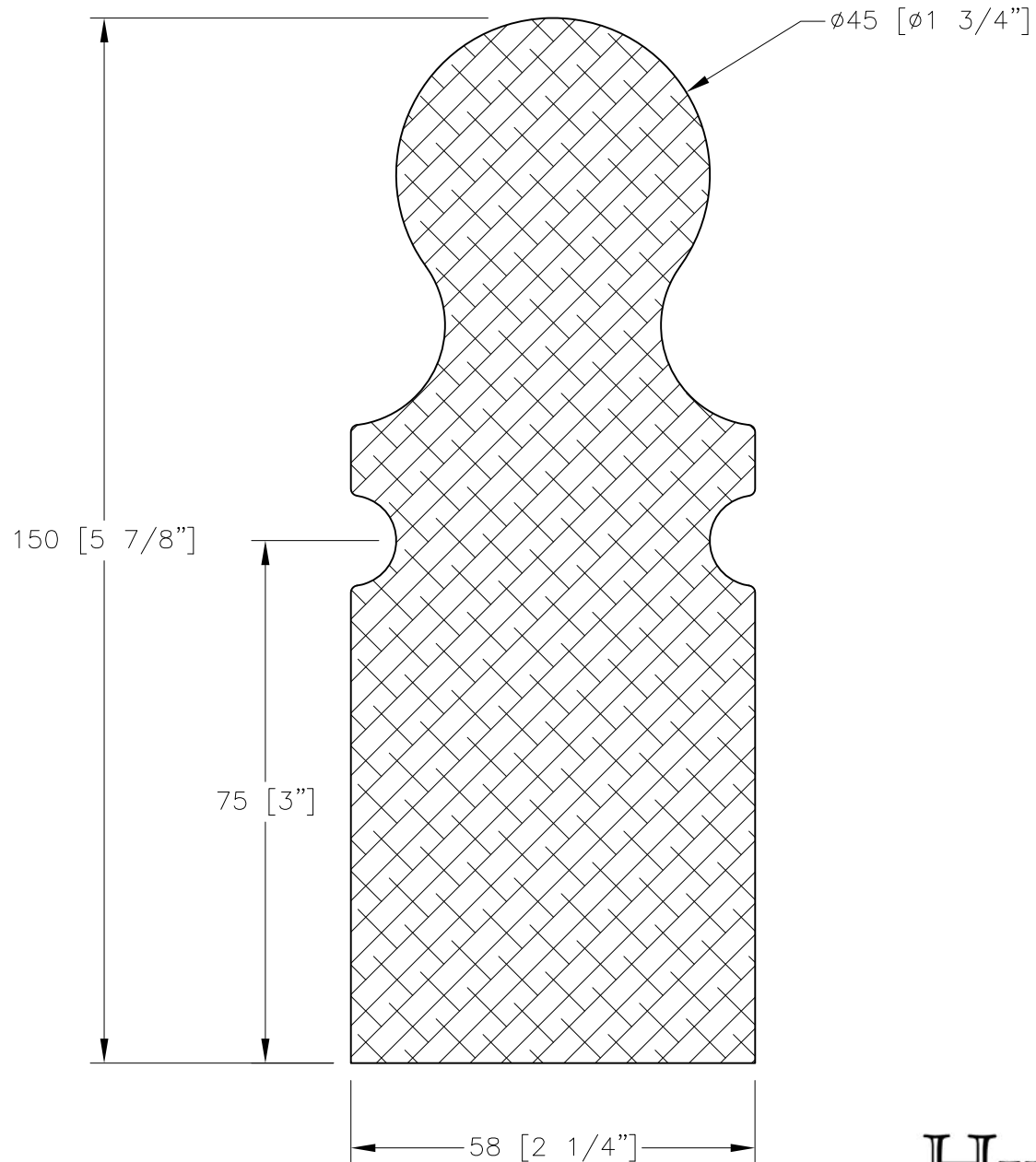


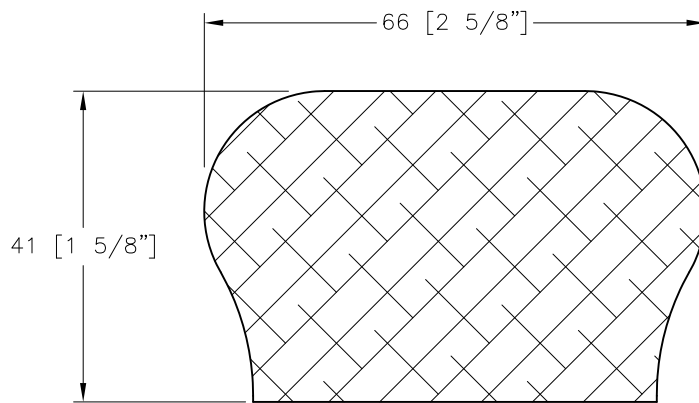
Hy-Grade
MILLWORK

DRAWN BY: IO	SCALE: 1:1
HY-HR1	REV 0



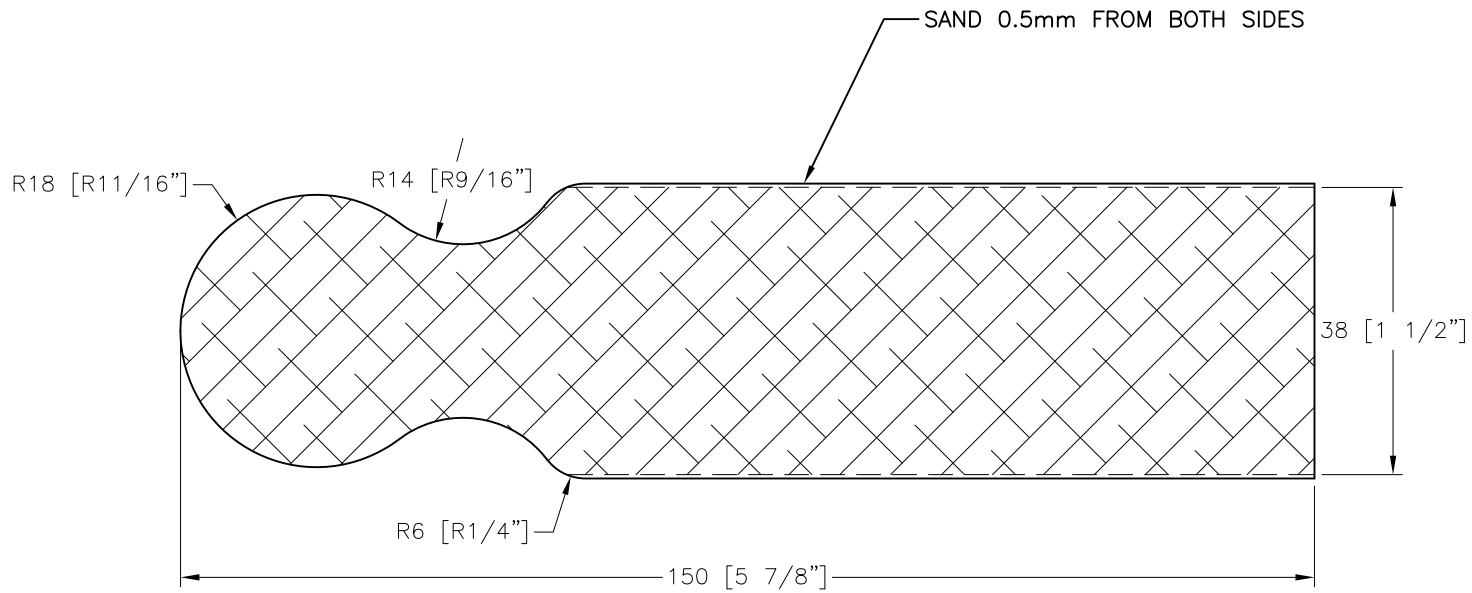
Hy-Grade
MILLWORK

DRAWN BY: IO	SCALE: 1:1
HY-HR2	REV 0



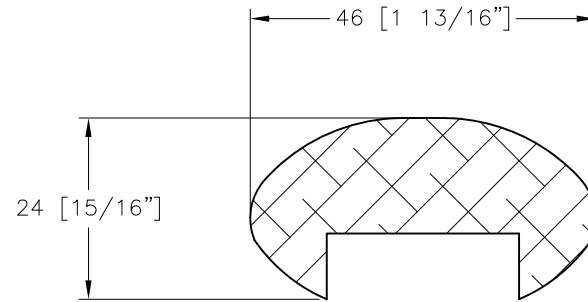
Hy-Grade
MILLWORK

DRAWN BY: IO	SCALE: 1:1
HY-HR3	REV 0



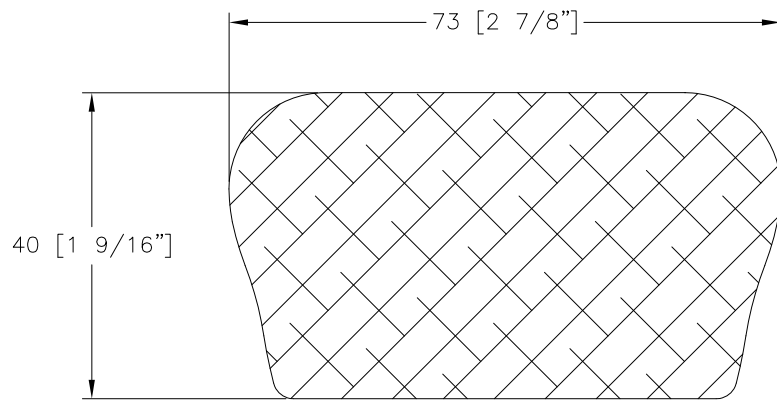
Hy-Grade
MILLWORK

DRAWN BY: IO	SCALE: 1:1
HY-HR4	REV 0



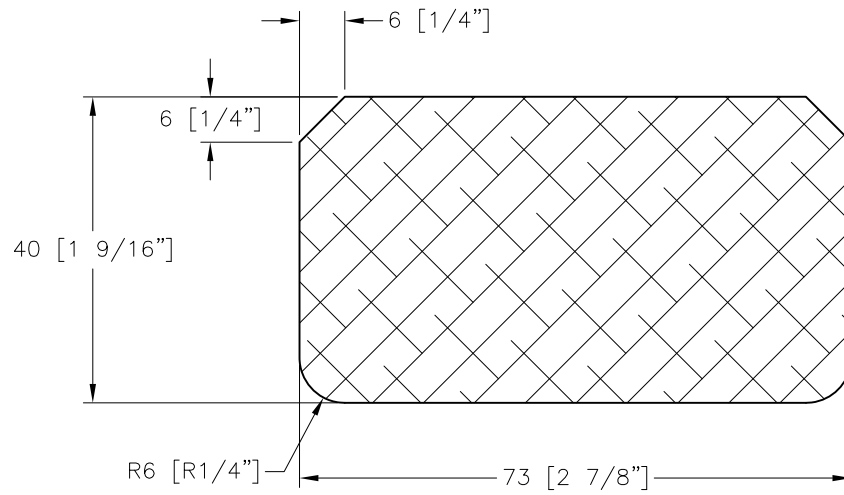
HyGrade
MILLWORK

DRAWN BY: IO	SCALE: 1:1
HY-HR11	REV 0



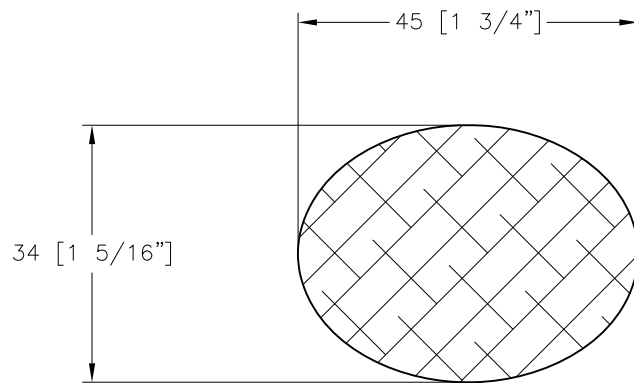
HyGrade
MILLWORK

DRAWN BY: IO	SCALE: 1:1
HY-HR12	REV 0



Hy-Grade
MILLWORK

DRAWN BY: IO	SCALE: 1:1
HY-HR13	REV 0



HyGrade
MILLWORK

DRAWN BY: IO	SCALE: 1:1
HY-HR14	REV 0